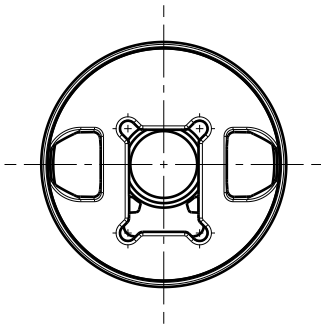
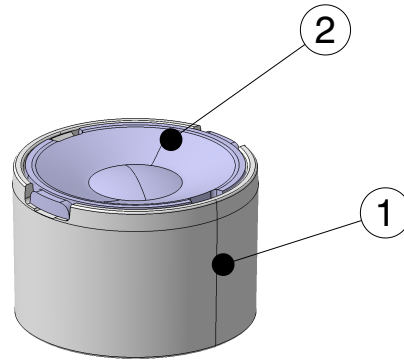


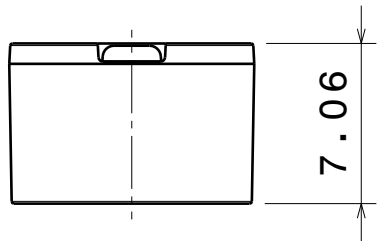
INDEX	PART NO	DESCRIPTION	MATERIAL
1	C10524	LISA-R1-HLD	PC-Makrolon 2407, white
2	C11629	LISA-R1-RS	PMMA 8N



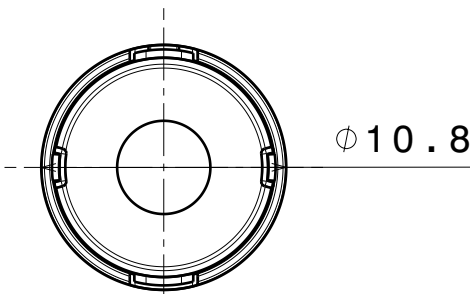
Bottom view



Isometric view



Front view



Top view

Tolerances if not otherwise shown:
According to DIN ISO 2768-1
Linear measures:
Up to 30mm class F, otherwise class M.

According to DIN ISO 2768-2
Form and position:
class K

Control for SPC marked dimensions.

This drawing is our property.
It can't be reproduced
or communicated without
our written agreement.



Ledil Oy
Salorankatu 10
FIN 24240 SALO
Finland

DRAWING TITLE | Assembly Drawing

DRAWN BY
as
DATE
30.10.2012

CP11630 LISA-RS

CHECKED BY
oha
DATE
-

SIZE A4	PART NUMBER CP11630	REV 001
------------	------------------------	------------

DESIGNED BY
-
DATE
-

SCALE 3:1	WEIGHT - g	SHEET 1/1
--------------	---------------	--------------